

T634 SHARP EDGE LED FULL CUTOFF WALLPACK INSTALLATION GUIDE



WARNING

PLEASE READ ALL INSTRUCTIONS BEFORE ATTEMPTING INSTALLATION

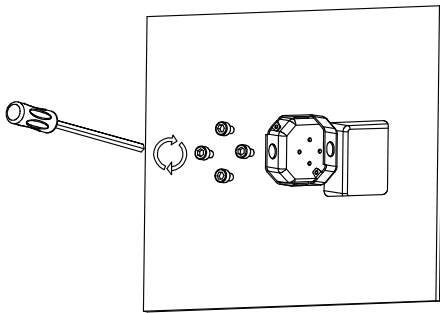
SAFETY: This fixture must be wired in accordance with the national electrical code and applicable local codes and ordinances. Proper grounding is required to insure personal safety. Carefully observe the grounding procedure under installation section. All work should be done by a qualified electrician.

> RISK OF ELECTRIC SHOCK - Disconnect power at fuse or circuit breaker before installing or servicing.

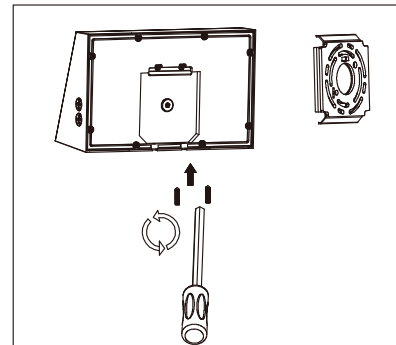
> RISK OF PERSONAL INJURY - Fixture may become damaged and/or unstable if not installed properly. Tighten all fixture components to their recommended torque values.

WARNING: Make sure the power is **OFF** before starting installation or attempting any maintenance.

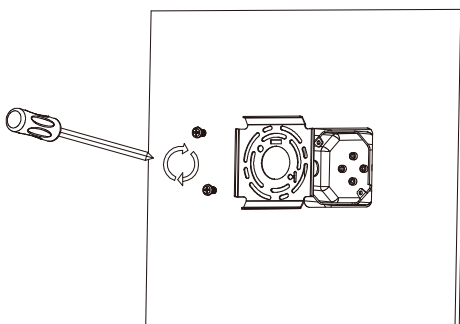
INSTALLATION



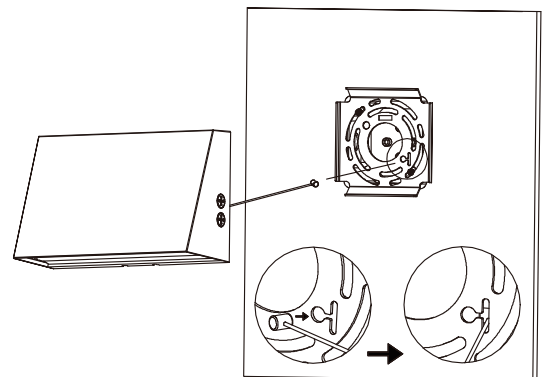
1. Install a standard junction box base on the wall.
(Junction box not included.)



2. Use a hex wrench to loosen the screws and remove the mounting bracket from the fixture.

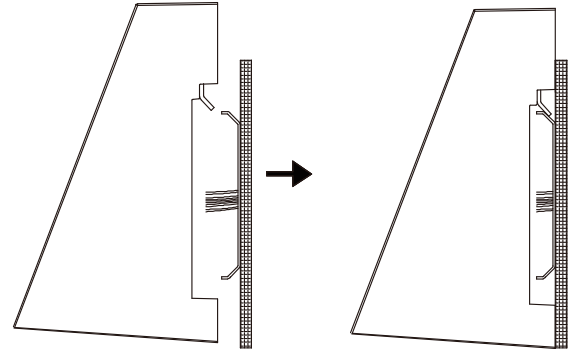
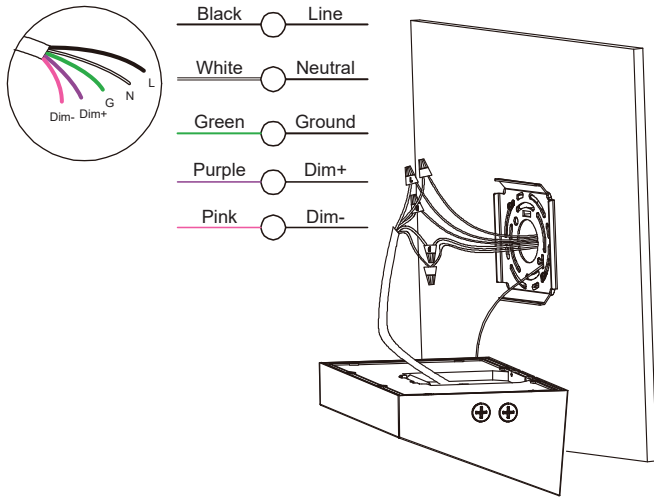


3. Secure the mounting bracket to the junction box.



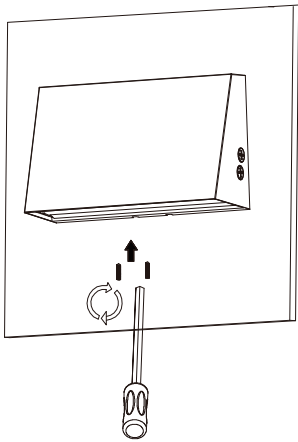
4. Attach the safety cable to the mounting bracket to prevent the fixture from falling.

T634 SHARP EDGE LED FULL CUTOFF WALLPACK INSTALLATION GUIDE

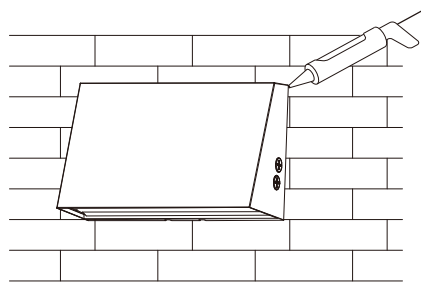


5. Connect the wires according to the wiring diagram.

6. Install the fixture onto the mounting bracket.

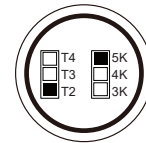


7. Secure the fixture using a hex wrench.

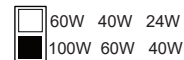
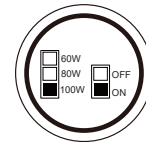


8. Apply silicone sealant around the fixture where it meets the wall to prevent water ingress.

DIP Switch for beam angle & CCT



DIP Switch for Watt & Photocell



9. Select the desired wattage and color temperature using the DIP switch.